

Museum Quality
Ceiling Fixtures
No. 3502/2, No. 3503/3
& No. 3506/6



© Holtkötter International, Inc. 2008

HOLTKÖTTER
The Ultimate Lighting Machines™

Holtkötter Fixtures with Schott OPALIKA® Milchüberfangglas

From the Schott website: The right lighting can make a decisive contribution to how comfortable we feel indoors.

White Flashed Opal Glass OPALIKA®

Using OPALIKA® by SCHOTT, you can achieve diffused lighting similar to skylight with very little shadow. Unlike individual spotlights, OPALIKA® distributes the light evenly, creating a pleasant atmosphere.

Bulbs for 3502/2:

120 Watt total - 2 each. x max. 60W/120V
Osram Halopin Bulb, Frosted
Manufactured by Osram GmbH
Order Code: 9250 * 060-HPNFR

Bulbs for 3503/3:

180 Watt total - 3 each. x max. 60W/120V
Osram Halopin Bulb, Frosted
Manufactured by Osram GmbH
Order Code: 9250 * 060-HPNFR

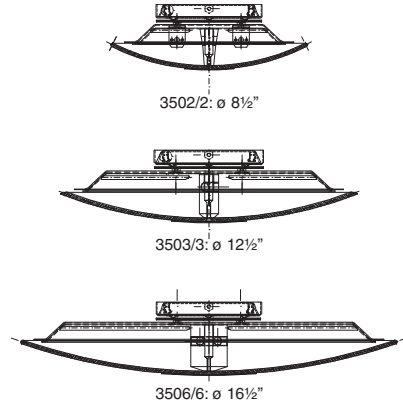
Bulbs for 3506/6:

360 Watt total - 6 each. x max. 60W/120V
Osram Halopin Bulb, Frosted
Manufactured by Osram GmbH
Order Code: 9250 * 060-HPNFR

Schott OPALIKA® Milchüberfangglas generates a light that is similar to natural sky lighting, it diffuses the light optimally and it has hardly any shadows.

The glass itself is a double-layered glass, a polished clear level on top of a satinized opal level of glass. In addition, the fixtures are not only very low profile, but they also provide a substantial amount of light.

Cover Photo (from the Schott website): **Wallraf Richartz Museum, Germany**



Finish Options:

AB	Antique Brass
BB	Brushed Brass
HB/OB	Hand-Brushed Old Bronze
PB	Polished Brass
PN	Polished Nickel
SN	Satin Nickel