
HOLTKÖTTER INTERNATIONAL, INC.

155 Hardman Avenue South, South St. Paul, MN 55075

fax: (888) 552-8661 • phone: (800) 899-5444

www.holtkoetter.com

e-mail: customerservice@holtkoetter.com

Congratulations, you have just purchased the leading-edge dimming technology from Holtkötter International, Inc. We have specifically designed the “Dimm System Punkt 1” (Dimming System Point 1 (P1)) to provide specialized features for ease and convenience of use.

Features of the “Dimm System Punkt 1” include:

Point Dimming - the lamp may be turned on with a single click of the P1 dimmer.

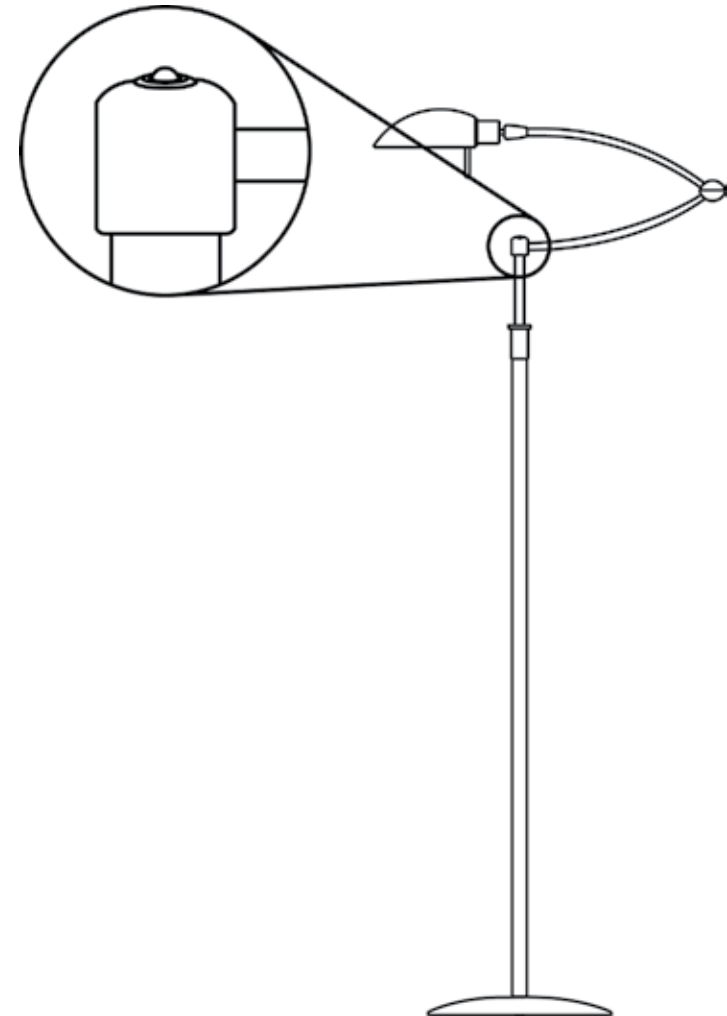
Soft On - the lamp will come on low and continue to brighten to full brightness. This allows the eye to adjust to a gradual increase in light.

Soft / Delayed Off - turn the lamp off with a single click of the P1 dimmer. The lamp will dim to 60% brightness of the original setting, remaining briefly at that level to allow you to exit the room; then the lamp gradually turns itself off. This “soft” off provides a few moments of light after turning the lamp off, rather than immediate darkness as is the case with other switches.

Dimming Cycle - to adjust the lamp to the perfect light level for any situation, press and hold the P1 dimmer. The dimmer will cycle through all dimming levels. When the lamp achieves the light level of your choice, release the P1 dimmer.

Tilt Switch - a safety measure is provided with the “Dimm System Punkt 1”. In the event that the lamp is tipped over, the tilt switch cuts off the power to the lamp.

ASSEMBLY INSTRUCTIONS FOR **6450/1*P1** featuring “Dimm System Punkt 1” (Dimming System Point 1)



HOLTKÖTTER INTERNATIONAL, INC.

www.holtkoetter.com
e-mail: customerservice@holtkoetter.com

Your "Dimm System Punkt 1" lamp comes fully assembled. If you need to replace a glass shield or light bulb, please read the following instructions carefully.

Please save these instructions.

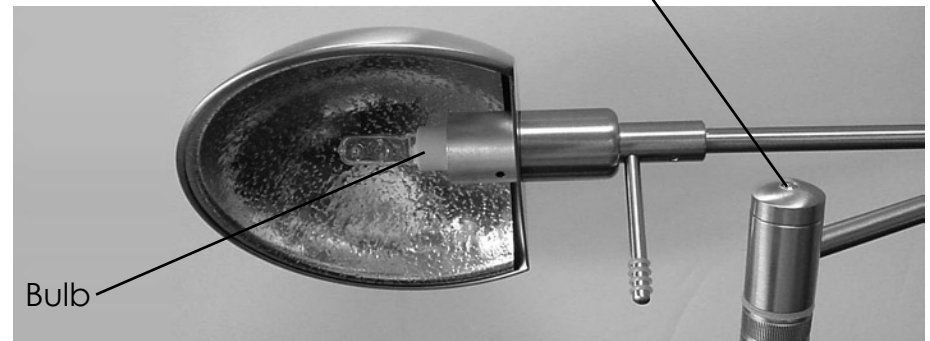
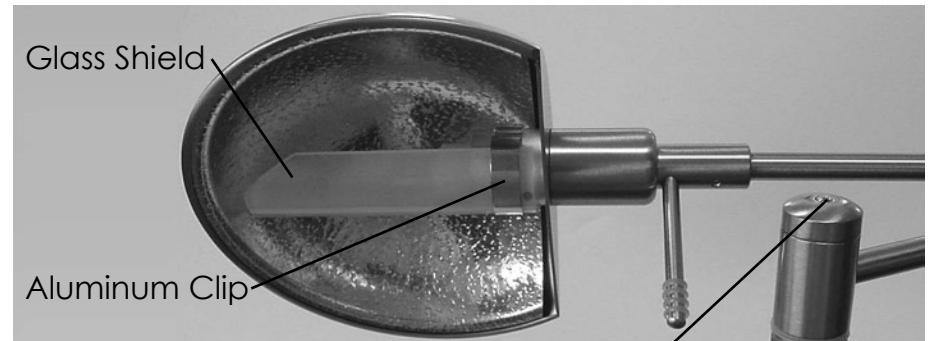
Replace the Glass Shield

1. Be sure to turn the lamp off and allow it to cool before attempting glass shield and/or bulb replacement.
2. The glass shield is held in place with an aluminum spring clip. To remove this clip, hold each side and pull firmly from the socket. This will release the glass shield.
3. Place the new glass shield over the curve of the aluminum socket.
4. Press the aluminum clip over the shield and onto the socket, making sure that both sides snap into place.

Replace the Bulb

1. Follow steps #1 and #2 above to remove the glass shield.
2. To remove the old bulb, hold it by the porcelain grip, push in towards the socket slightly and turn it counter-clockwise.
3. Install the new bulb, being careful not to touch the bulb envelope with your bare hands. Hold the bulb at the porcelain grip, push it down slightly and turn it clockwise.
4. Follow steps #3 and #4 above to replace the glass shield.

ASSEMBLY INSTRUCTIONS FOR 6450/1*P1



Note of Caution

The recommended replacement bulb for this fixture is the 100 Watt Osram Bayonet Base Halogen bulb. Use of other brands of unknown quality may cause a risk of overheating.

Care Instructions

Use only a soft, dry cloth to clean. If necessary, a slightly damp, soft cloth can be used to spot clean. Do not use common household cleaners on lamps or fixtures, as the lacquer on the outside of the brass may be damaged as a result.

Enjoy your new Holtkötter lamp.